



**APEX DYNAMICS, INC.**

**NEW GENERATION  
PLANETARY GEARBOX**

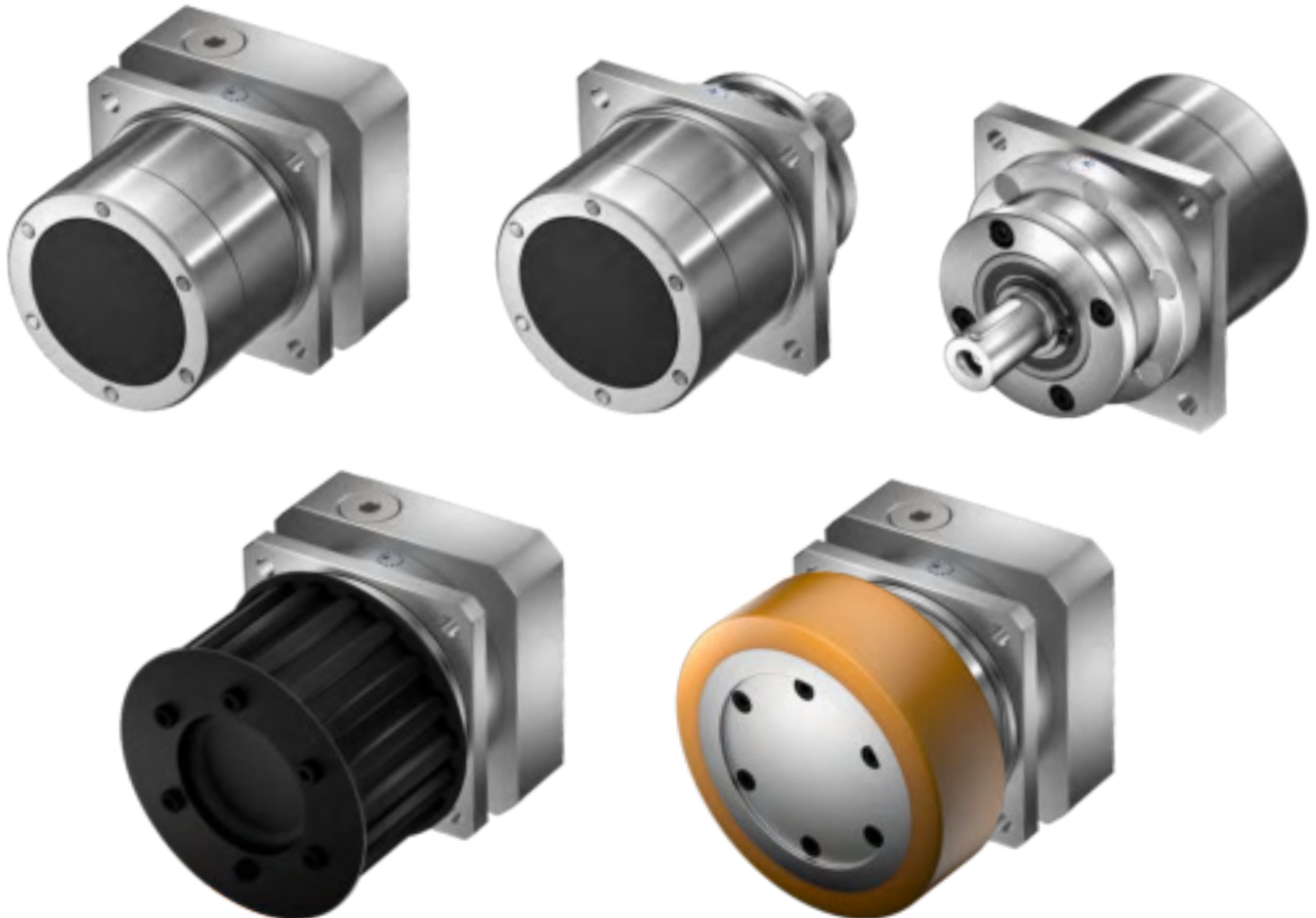
**GL / GLS - SERIES**



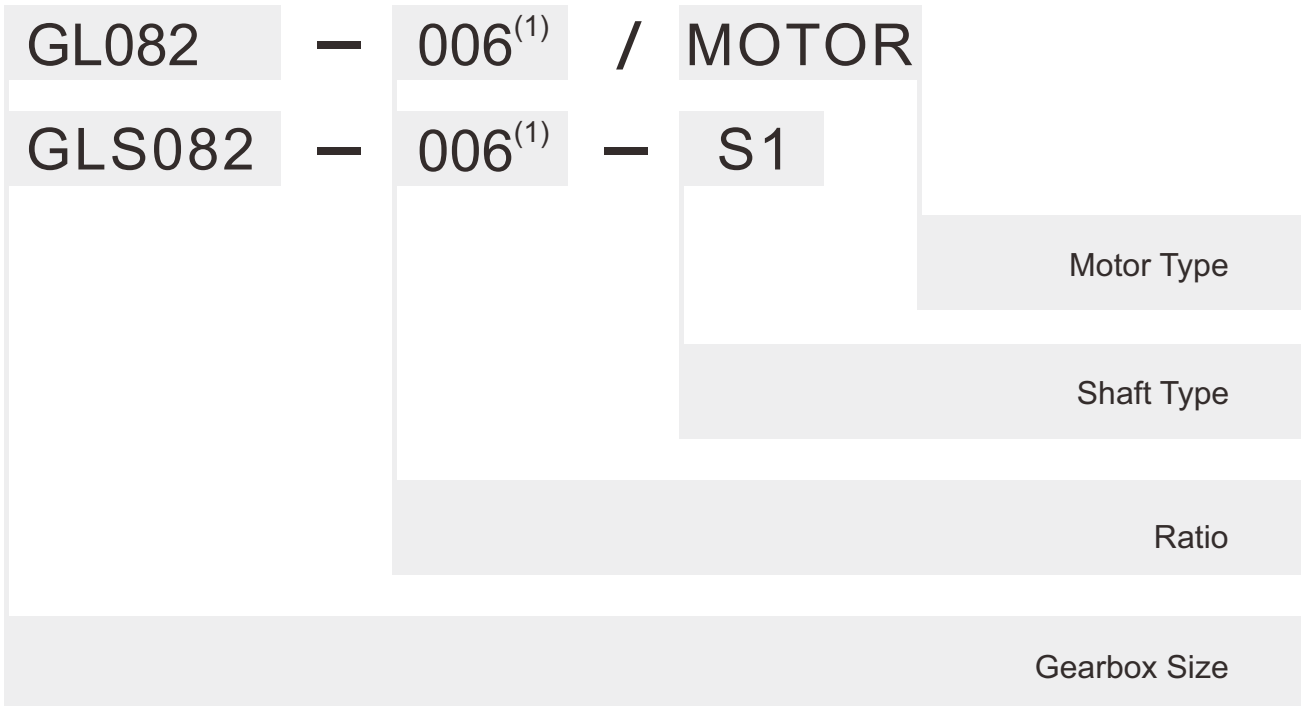
## Gearbox Series - GL

### ► Features:

- High radial load
- Rotating housing
- High efficiency
- Low noise
- Reduced backlash
- Optimized Inertia moment
- Limited temperature rise
- Long service life
- Optimized output torque



# Ordering Code - GL / GLS Gearbox



GLS is the GL version with option input "SHAFT" instead of input "HUB"

**Gearbox Size**  
 GL 082 / 100 / 132  
 GLS 082 / 100 / 132

**Ratio<sup>(2)</sup>**  
 GL 2 / 3 / 4 / 6 / 9  
 10 / 15 / 20 / 24 / 30 / 36 / 40 / 45 / 60 / 90  
 GLS 3 / 4 / 6 / 9  
 10 / 15 / 20 / 24 / 30 / 36 / 40 / 45 / 60 / 90

**Shaft Type :** S1 = Smooth Input Shaft  
 S2 = Input Shaft with Key

**Motor Type**  
 Manufacturer and Model

(1) Ratio ( $i = N_{in} / N_{out}$ ).

(2) Please refer to the specifications for the ratios provided in each series.



# Performance - GL Gearbox

Model No.		Stage	Ratio <sup>(1)</sup>	GL082	GL100	GL132
Nominal Output Torque $T_{2N}$	Nm	1	2	60	102	280
			3	90	155	355
			4	83	168	308
			6	54	115	252
			9	21	50	145
		2	10	60	102	280
			15	90	155	355
			20	83	168	308
			24	54	115	252
			30	54	115	252
			36	21	50	145
			40	53	96	229
			45	21	50	145
			60	54	115	252
			90	21	50	145
Emergency Stop Torque $T_{2NOT}$	Nm	1,2	2~90	3 times $T_{2N}$		
Max. Acceleration Torque $T_{2B}$	Nm	1,2	2~90	1.5 times $T_{2N}$		
No Load Running Torque <sup>(2)</sup>	Nm	1	2~9	0.45	0.7	1.4
		2	10~90	0.2	0.3	0.6
Backlash <sup>(3)</sup>	arcmin	1	2~9	$\leq 3$	$\leq 3$	$\leq 3$
		2	10~90	$\leq 5$	$\leq 5$	$\leq 5$
Torsional Rigidity	Nm/arcmin	1,2	2~90	8	22	60
Nominal Input Speed $n_{1N}$	rpm	1	2~9	5,000	3,600	3,600
		2	10~90	5,000	4,600	4,600
Max. Input Speed $n_{1B}$	rpm	1	2~9	7,000	6,000	6,000
		2	10~90	7,000	7,000	7,000
Max. Radial Load $F_{2r}$ <sup>(4)</sup>	N	1,2	2~90	2,860	3,400	7,200
Max. Axial Load $F_{2a}$ <sup>(4)</sup>	N	1,2	2~90	1,430	1,700	3,600
Max. Tilting Moment $M_{2k}$ <sup>(4)</sup>	Nm	1,2	2~90	117	155	452
Operating Temp	°C	1,2	2~90	-10° C ~ 90° C		
Degree of Gearbox Protection		1,2	2~90	IP65		
Lubrication		1,2	2~90	Synthetic lubrication grease		
Mounting Position		1,2	2~90	All directions		
Running Noise <sup>(2)</sup>	dB(A)	1	2~9	$\leq 58$	$\leq 59$	$\leq 64$
		2	10~90	$\leq 58$	$\leq 59$	$\leq 60$
Efficiency $\eta$	%	1	2~9	$\geq 97\%$		
		2	10~90	$\geq 94\%$		

(1) Ratio ( $i = N_{in} / N_{out}$ ).

(2) The dB values are measured by gearbox with ratio 9 (1-stage) or ratio 90(2-stage),  
No loading at 3,000 RPM or at the respective Nominal Input Speed by bigger model size.  
By lower ratio and/or higher RPM, the noise level could be 3 to 5 dB(A) higher

(3) Backlash is measured at 2% of Nominal Output Torque  $T_{2N}$ .

(4) Applied to the output flange center at 100 rpm. The calculation formula please refer to Fig 1.

(5) Continuous operation is not recommended.

# Inertia - GL Gearbox

Model No.	GL082		GL100		GL132	
$\varnothing^{(A)}$	1-stage.	2-stage.	1-stage.	2-stage.	1-stage.	2-stage.
8	-	0.1	-	-	-	-
11	0.21	0.16	-	0.17	-	-
14	0.24	0.2	0.54	0.21	-	0.42
19	0.64	-	0.79	0.6	2.51	0.66
24	-	-	4.06	-	4.78	3.94
28	-	-	-	-	6.15	-
32	-	-	-	-	8.03	-
35	-	-	-	-	14.72	-
38	-	-	-	-	17.38	-
42	-	-	-	-	-	-
48	-	-	-	-	-	-

(A)  $\varnothing$  = Input shaft diameter.

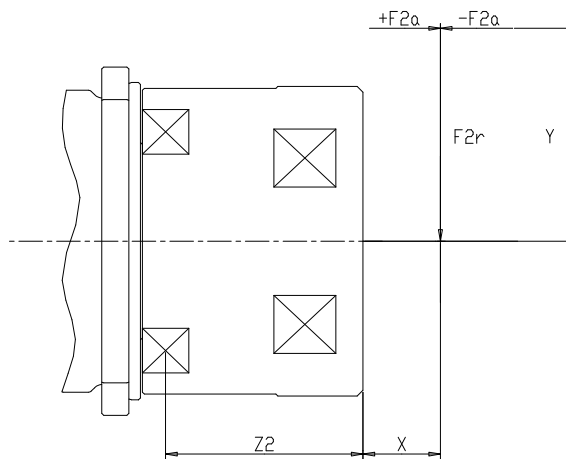


Fig.1

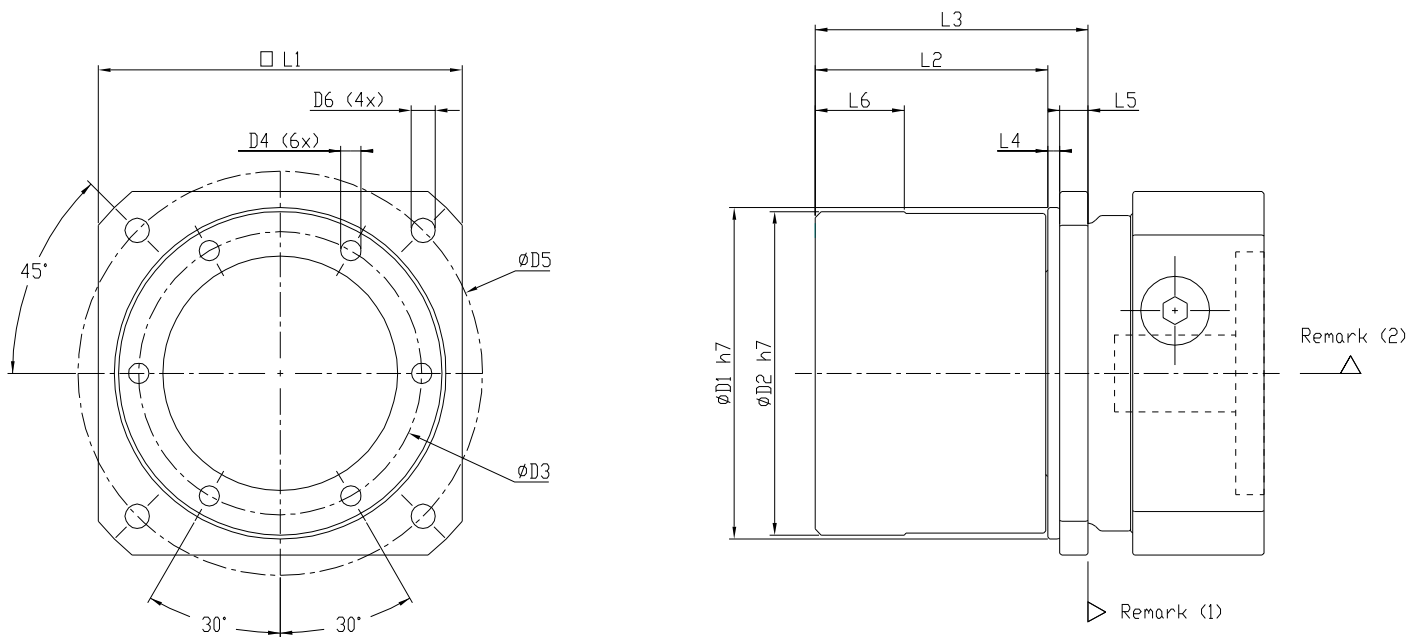
$$\text{Max. Tilting Moment } M_{2K} = \frac{F_{2a} * Y + F_{2r} * (X + Z2)}{1000}$$

$M_{2K}$  : [Nm]  
 $F_{2a}, F_{2r}$  : [N]  
 $X, Y, Z2$  : [mm]

GL	082	100	132
Z2 [mm]	51	57	78.5

Note : Applied to the output flange center at 100 rpm.

# Dimension - GL Gearbox

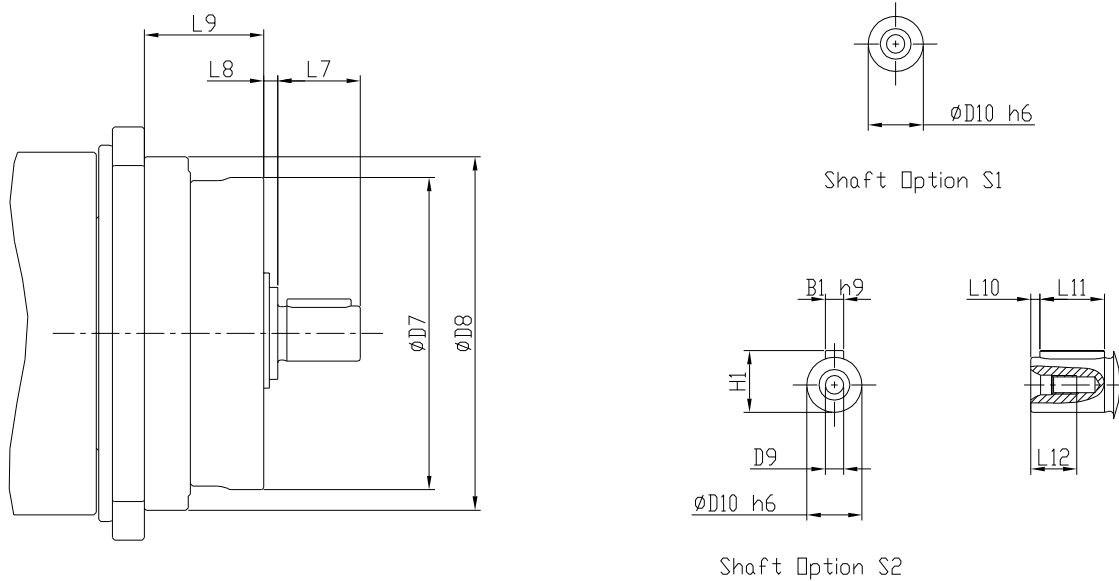


Dimension	GL082	GL100	GL132
D1 h7	82	100	132
D2 h7	80	96	128
D3	70	84	114
D4 x Pitch x Deep	M5x0.8Px8	M6x1Px10	M8x1.25Px12.5
D5	100	122	166
D6	M6x1P	M8x1.25P	M10x1.5P
L1	90	108	140
L2	57.5	62.5	85.5
L3	67.5	75.5	101.5
L4	3	3.5	4
L5	7	9.5	12
L6	22	24	34

(1) Dimensions are related to motor interface. Please contact APEX for details.

(2) As alternative to input "HUB", input "SHAFT" is also available, please find in page 06.

# Dimension - GLS (Input Shaft as Option)



Dimension	Stage	GLS082	GLS100	GLS132
D7	1	68	84	93
	2	60	68	84
D8	1,2	77	100	136
D9	1	M4x0.7P	M8x1.25P	M10x1.5P
	2	M3x0.5P	M4x0.7P	M8x1.25P
D10 h6	1	12	22	28
	2	10	12	22
L7	1	18	36	42
	2	15	18	36
L8	1	3	3	4
	2	3	3	3
L9	1	26	38	45.5
	2	44.5	54	67.5
L10	1	2	3	5
	2	2	2	3
L11	1	14	28	32
	2	10	14	28
L12	1	10	19	22
	2	9	10	19
B1 h9	1	4	6	8
	2	3	4	6
H1	1	13.5	24.5	31
	2	11.2	13.5	24.5

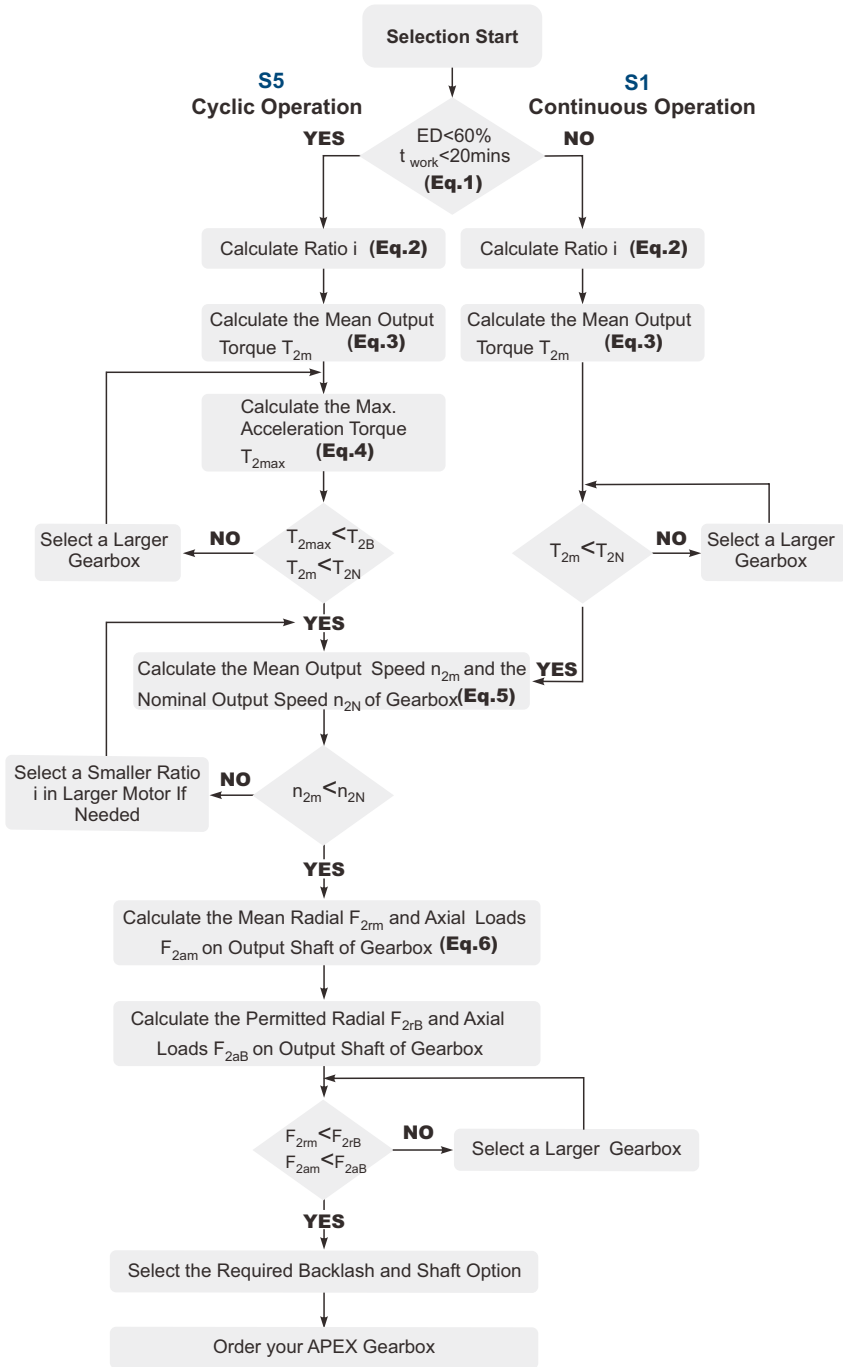
# Performance - GLS (Input Shaft as Option)

Model No.		Stage	Ratio <sup>(1)</sup>	GLS082	GLS100	GLS132
Max. Radial Load $F_{1rB}$ <sup>(2)</sup>	N	1	3~9	460	600	800
		2	10~90	275	460	600
Max. Axial Load $F_{1aB}$ <sup>(2)</sup>	N	1	3~9	230	300	400
		2	10~90	137	230	300
Moment of Inertia	kg.cm <sup>2</sup>	1	3~9	0.19	0.62	1.78
		2	10~90	0.06	0.19	0.62

(1) Ratio (  $i = N_{in} / N_{out}$  ).

(2) Applied to the input shaft center at 1000 rpm.

# Selection of the optimum gearbox



**Recommended (for S5 Cycle Operation)**

The general design is given for

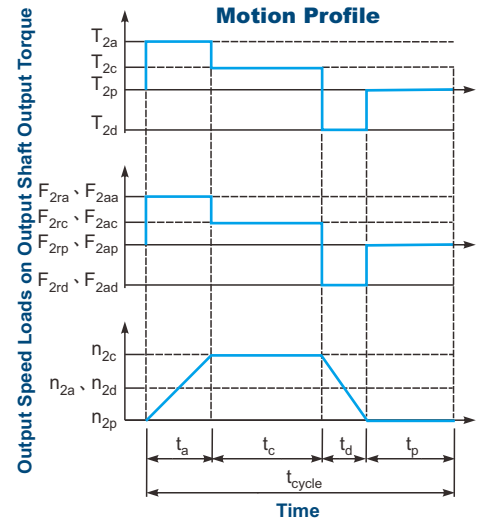
$$\frac{J_L}{i^2} \leq 4 \times J_m$$

The optimal design is given for

$$\frac{J_L}{i^2} \cong J_m$$

$J_L$  Load Inertia

$J_m$  Motor Inertia



$$1. ED = \frac{t_a + t_c + t_d}{t_{cycle}} \times 100\%, t_{work} = t_a + t_c + t_d$$

Index : a. Acceleration, c. Constant,  
d. Deceleration, p. Pause **(Eq.1)**

$$2. i \cong \frac{n_m}{n_{work}}$$

$n_m$  Output Speed of the Motor  
 $n_{work}$  Working Speed **(Eq.2)**

$$3. T_{2m} = 3 \sqrt{\frac{n_{2a} \times t_a \times T_{2a}^3 + n_{2c} \times t_c \times T_{2c}^3 + n_{2d} \times t_d \times T_{2d}^3}{n_{2a} \times t_a + n_{2c} \times t_c + n_{2d} \times t_d}}$$

**(Eq.3)**

$$4. T_{2max} = T_{mB} \times i \times K_s \times \eta$$

where  $K_s$  is

$K_s$	No. of Cycles / hr
1.0	0 ~ 1,000
1.1	1,000 ~ 1,500
1.3	1,500 ~ 2,000
1.6	2,000 ~ 3,000
1.8	3,000 ~ 5,000

$T_{mB}$  Max. Output Torque of the Motor

$\eta$  Efficiency of the Gearbox **(Eq.4)**

$$5. n_{2a} = n_{2d} = \frac{1}{2} \times n_{2c}$$

$$n_{2m} = \frac{n_{2a} \times t_a + n_{2c} \times t_c + n_{2d} \times t_d}{t_a + t_c + t_d}$$

$$n_{2N} = \frac{n_{1N}}{i}$$

**(Eq.5)**

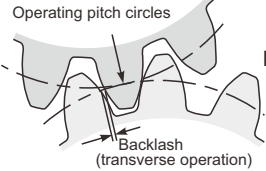
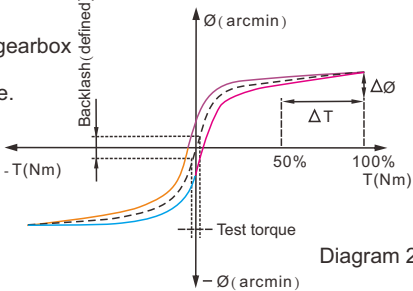
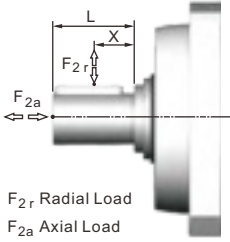
$$6. F_{2m} = 3 \sqrt{\frac{n_{2a} \times t_a \times F_{2ra}^3 + n_{2c} \times t_c \times F_{2rc}^3 + n_{2d} \times t_d \times F_{2rd}^3}{n_{2a} \times t_a + n_{2c} \times t_c + n_{2d} \times t_d}}$$

$$F_{2am} = 3 \sqrt{\frac{n_{2a} \times t_a \times F_{2aa}^3 + n_{2c} \times t_c \times F_{2ac}^3 + n_{2d} \times t_d \times F_{2ad}^3}{n_{2a} \times t_a + n_{2c} \times t_c + n_{2d} \times t_d}}$$

**(Eq.6)**



# Glossary

Emergency Stop Torque $T_{2NOT}$	Nm	The Emergency Stop Torque is the maximum permitted torque at the output of gearbox. This may happen only occasionally and may not exceed 1,000 times during the whole service life.
Max. Acceleration Torque $T_{2B}$	Nm	Under the Cyclic Operation (S5), the Max. Acceleration Torque is the maximum torque which can be transmitted only briefly to the output of gearbox up to 1,000 cycles/hr.
No Load Running Torque	Nm	The No Load Running Torque is the min. torque to overcome the internal friction of a gearbox without loading*.
Nominal Input Speed $n_{1N}$	rpm	The Nominal Input Speed is the permitted input speed of gearbox by the Continuous Operation (S1) while the housing temperature does not exceed 90°C. This value is measured at environment temperature 25°C.
Max. Input Speed $n_{1B}$	rpm	The Max. Input Speed is the max. permitted input speed of gearbox by the Cyclic operation (S5). This value is measured at environment temperature 25°C and serves as the absolute limit of the gearbox.
Backlash	arcmin	<p>The Backlash is the maximum angular measurement between two teeth of gears when the transverse operation occurs (refer to Diagram 1). The arcmin is the measurement unit for the backlash. One arcmin equals 1/60 degree, symbolized as 1'.</p> 
Torsional Rigidity	Nm/arcmin	<p>Torsional Rigidity is the quotient (<math>\Delta T / \Delta \theta</math>) between the applied torque and resulting torsion angle. This value indicates how much torque is needed on the gearbox to rotate the output shaft for 1 arcmin. The Torsional Rigidity can be determined by Hysteresis Curve.</p> <p>Hysteresis Curve When the input shaft is locked, increase torque at the output slowly up to <math>T_{2B}</math> in both directions and then release the torque gradually. According to the measured torque and torsion angle, a closed curve will be acquired as in the Diagram 2.</p> 
Radial Load And Axial Load	N	<p>The permitted radial and axial loads on output shaft of the gearbox depend on the design of the gearbox supporting bearings.</p> <p>For more information, please refer to APEX website.</p> 
Efficiency $\eta$	%	The transmission efficiency of the gears inside a gearbox (without friction).
Operating Temperature	°C	The Operating Temperature indicates the temperature of gearbox housing.
Degree of Protection		IP code stands for International Protection standard. The IP65 as example: the first IP number stands for protection degree against dust; the second IP number stands for protection against liquid.
Lubrication		APEX uses synthetic lubrication grease. Alternate greases are available, please contact APEX.
Running Noise	dB(A)	The Running Noise is measured depends on gearbox size, the ratio and the speed*. Higher speed usually induces higher noise level, while higher ratio induces lower noise level.
Moment of Inertia $J_1$	kg.cm <sup>2</sup>	The Moment of Inertia $J_1$ is a measurement of the effort applied to an object to maintain its momentary condition at rest or rotating.
Breakaway Torque	Nm	The Breakaway Torque is the minimum torque to start the rotation from the input side of gearbox. A smaller size or a higher ratio gearbox requests less Breakaway Torque.
Back Driving Torque	Nm	The Back Driving Torque is the minimum torque to start the rotation from the output side of gearbox. A larger size or a higher ratio gearbox requires greater Back Driving Torque.

\* This value is measured at environment temperature 25°C and the input speed 3,000 rpm. If the Nominal Input Speed  $n_{1N}$  of gearbox is lower than 3,000 rpm, this value is measured by that specific Nominal Input Speed.



**APEX TAIWAN NORTH  
ANDTEK AUTOMATION CO.,LTD**  
TEL +886-02-82262655  
13F-5, No.2, Jian 8th Rd., Jhonghe Dist., New  
Taipei City 235, TAIWAN  
sales@andtek.com.tw  
www.apexdyna.com



**APEX TAIWAN CENTRAL  
ANDTEK AUTOMATION CO.,LTD**  
TEL +886-04-23594286  
9F-6, No.925, Sec.4, Taiwan Blvd., Xitun Dist.  
Taichung City 407 TAIWAN  
sales@andtek.com.tw  
www.apexdyna.com



**APEX TAIWAN SOUTH  
MEN JENN ELECTRIC CO., LTD.**  
TEL +886-06-2337332 ~ 6  
No.774, Zhonghua Rd., Yongkang Dist., Tainan  
City 710, TAIWAN  
menjenn@ms24.hinet.net  
www.apexdyna.com



**APEX DYNAMICS INC. SHANGHAI**  
TEL +86-21-69220577  
No.128 ZHUYING Road QINGPU Industry Area,  
Shanghai, CHINA  
sales@apexdyna.cn  
www.apexdyna.cn



**APEX DYNAMICS SHENZHEN, LTD.**  
TEL +86-755-84516325  
No. 1102A of D area , CFG mansion ,Bao Yuan  
Road , Bao'an District , Shenzhen ,CHINA.  
sales@szapexdyna.com  
www.szapexdyna.com



**APEX DYNAMICS BEIJING, LTD.**  
TEL +86-10-69570691  
NO.1,YaoPingRoad,SongZhuang Town, Tongzhou  
istrict, Beijing, CHINA.  
bjapexdyna@163.com  
www.bjapex.cn



**CHONGQING APEX DYNAMICS CO., LTD.**  
TEL +86-23-67686860  
406, Building 5, No.68, Jinyu Avenue, Beibu New  
Area, Chongqing, CHINA  
sales@cqapexdyna.com  
www.apexdyna.com



**APEX (XIAMEN) DYNAMICS TECHNOLOGY CO., LTD.**  
TEL +86-0592-720-5279  
Unit B-3,1F.,No.129,Jingquan Road, Jimei District,  
Xiamen, Fujian, CHINA  
sales@xmapexdyna.com  
www.xmapexdyna.com



**APEX DYNAMICS USA, INC.**  
TEL +1-631-2449040  
885 Marconi Avenue Ronkonkoma, NY 11779  
U.S.A.  
sales@apexdynamicsusa.com  
www.apexdynamicsusa.com



**APEX DYNAMICS KOREA**  
TEL +82-31-8179992  
1246-32, Seongsuk-dong, Ilsandong-gu, Goyang-city,  
Gyeonggi-Do, KOREA (R.O.K) 410-570  
sales@apexdynakorea.co.kr  
www.apexdynakorea.co.kr



**APEX DYNAMICS JAPAN**  
TEL +86-092-4511202  
1-3-46, Hanmichibasi, Hakata-ku, Fukuoka,  
812-0897, JAPAN  
sales@apexdyna.jp  
www.apexdyna.jp



**APEX DYNAMICS SINGAPORE PTE LTD**  
TEL +65-62-626228  
3 South Buona Vista Road, #05-15 & #06-15.  
SINGAPORE 118136  
sales@apexdyna.com.sg  
www.apexdyna.com.sg



**APEX DYNAMICS (THAILAND) CO., LTD.**  
TEL +66-2-3266233  
73 Soi Ladkrabang 30, Kadkrabang Rd.,Bangkok  
10520, THAILAND  
sales@apexdyna.co.th  
www.apexdyna.co.th



**APEX DYNAMICS BV**  
TEL +31-492-509995  
Churchillaan 101 5705 BK Helmond, NETHERLANDS  
sales@apexdyna.nl  
www.apexdyna.nl



**APEX DYNAMICS  
POLSKA SP. Z O.O.**  
TEL +48-12-6304728  
Krakowska 50, 32-083 Balice, POLAND  
sales@apexdyna.pl  
www.apexdyna.pl



**APEX DYNAMICS SPAIN, S.L.**  
TEL +34-93-6562990  
Poligono Industrial Molí dels Frares, Calle C nº  
12,08620 - Sant Vicenç dels Horts, Barcelona, SPAIN  
apexdyna@apexdyna.es  
www.apexdyna.es



**LIMAN TRADING LIMITED FZC LLC**  
P.O. Box 97 , Postal Code 322, Corporate Parks,  
Sohar Free Zoon, Oman



**APEKS REDUKTOR VE DISLI SAN. TIC. LTD. STI.**  
TEL +90-232-4589960  
10042 Sok.No:10 AOSB Çiğli-İzmir, TURKEY  
sales@apexdyna.com.tr  
www.apexdyna.com.tr



**APEX DYNAMICS AUSTRALIA PTY LTD.**  
TEL +613-95-852739  
36 Taunton Drive, Cheltenham, Victoria 3192  
AUSTRALIA.  
sales@apexdyna.com.au  
www.apexdyna.com.au



**APEX DYNAMICS (I) JV**  
TEL +91-9607927142  
Shop No. 02, S. No. 100/5, Pune-Satara Highway,  
Ambegaon Khurd, Pune-411046 Maharashtra, India  
sales@apexdyna.co.in  
www.apexdyna.co.in



**APEX DYNAMICS FRANCE SAS**  
TEL +33-160-135097  
11 - Burospace F - 91570 -  
Bièvres, FRANCE  
info@apexdyna.fr  
www.apexdyna.fr



**APEX DYNAMICS SWEDEN AB**  
TEL +46-75-242444  
Fredrikbergsgatan 2 SE-573 92 Tranås, SWEDEN  
sales@apexdyna.se  
www.apexdyna.se



**PT.APEX DYNAMICS INDONESIA**  
TEL +62 21 2928 3681  
Rukan Aralia Blok HY43 no.11, Harapan Indah II,  
Bekasi - Jawa Barat, INDONESIA 17214  
sales@apexdyna.co.id  
www.apexdyna.co.id



**APEX DYNAMICS GERMANY GMBH**  
TEL +49-7181-9329955  
Spanninger Str. 9, 73650 Winterbach, GERMANY  
Langer@apexdynamics.de  
www.apexdynamics.de



**APEX DYNAMICS CZECH S.R.O.**  
TEL +420-577-663877  
tř. Tomáše Bati 1851 765 02 Otrokovice ČESKÁ  
REPUBLIKA  
info@apexdynaczech.cz  
www.apexdynaczech.cz



**APEX DYNAMICS РОССИЯ**  
TEL +7-495-2255452  
+7-495-6462422  
r.Москва, ул. Южнопортовая, дом 7, строение  
"С", 3-й этаж  
info@apexdynarussia.ru  
www.apexdynarussia.ru



**APEX DYNAMICS UK**  
TEL +44-0121-737-1170  
Heath House, Cheadle Rd, Uttoxeter,  
ST14 7BY, UK  
mikeg@apexdynauk.com  
www.apexdynauk.com



**APEX DYNAMICS SWITZERLAND AG**  
TEL +41-55-4517020 Talstrasse 24, CH-8852  
Altendorf, SWITZERLAND  
info@apexdyna.ch  
www.apexdyna.ch



**APEX DYNAMICS MOTION SDN BHD**  
TEL +60-7267-4228  
No.1, Jalan Perniagaan Setia 3, Taman  
Perniagaan Setia, 81100 Johor Bahru, Johor,  
MALAYSIA (Setia Business Park 2 @ Iskandar  
Malaysia)  
sales@apexdyna.com.sg  
www.apexdyna.com.sg



**APEX DYNAMICS BRAZIL**  
TEL +55-47-30298700  
Rua Senador Petrônio Portela, 47 - Bloco 5, Zona  
Industrial Norte - CEP 89218-575 - Joinville (SC)  
lucan@neoyama.com.br  
adriano.duarte@neoyama.com.br  
www.neoyama.com.br



**APEX DYNAMICS ITALY**  
TEL +39 02.36634521  
VIA E. DE AMICIS, 2 – 20091 BRESSO (MI)  
info@apexdynamics.it  
www.apexdynamics.it



**Apex Dynamics Austria GmbH**  
TEL +43 07207884160  
Dr. Hans-Lechner-Strasse 6,  
5071 Wals-Siezenheim  
info@apexdynamics.at  
www.apexdynamics.at



**UAB "APEX DINAMIKA"**  
TEL +370 52078165  
Medaus g. 28A,  
Medininku k., Vilniaus r. Sav.  
LT-13192  
info@apexdyna.lt



**APEX DYNAMICS DENMARK**  
TEL +45 73121260  
Grundtvigs Allé 165, 6400  
Sønderborg, Denmark  
sales@apexdyna.dk  
www.apexdyna.dk



**APEX DYNAMICS ISRAEL**  
TEL +972-3-6470471  
17 Hamefalsim St., Kiryat Arye,  
Petach-Tikva 4951447  
Sales@apexdynamics.co.il  
www.apexdynamics.co.il



**APEX DYNAMICS SLOVAKIA S.R.O.**  
TEL +421919400476  
Trenčianska cesta 887/52, 957 01  
Bánovce nad Bebravou, Slovak  
republic  
office@apexdyna.sk  
www.apexdyna.sk



## APEX DYNAMICS, INC.

No. 10, Keyuan 3<sup>rd</sup> Rd., Situn District, Taichung City 40763, Taiwan (R.O.C.)  
Tel:886-4-24650219 | Fax:886-4-24650118  
sales@apexdyna.com | http://www.apexdyna.com

APEX-2020-10-GL / GLS Series - 1.0

Printed in Taiwan

