

AIV SERIES AIR-OPERATED VALVES

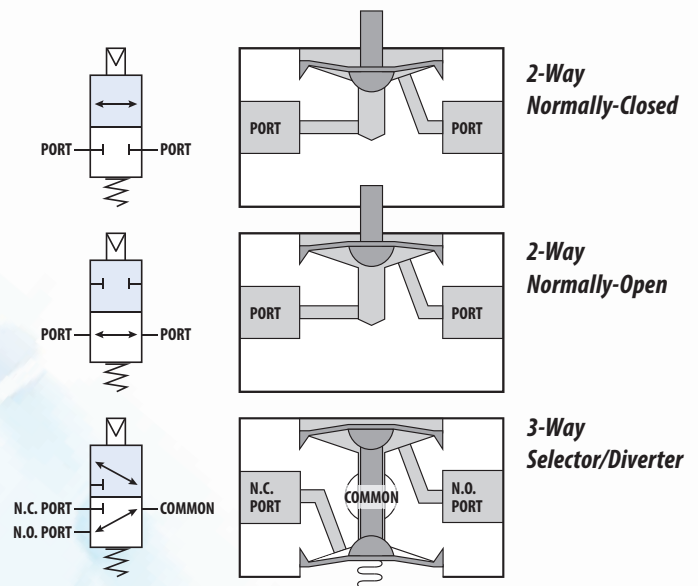


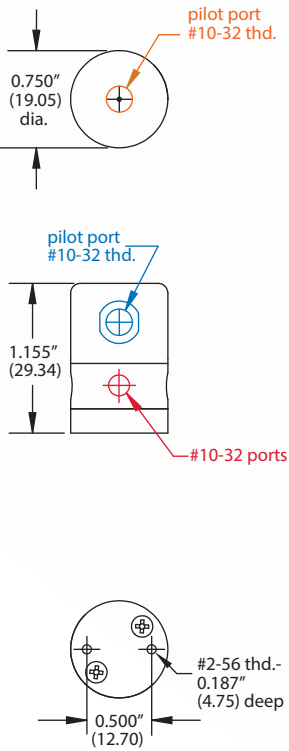
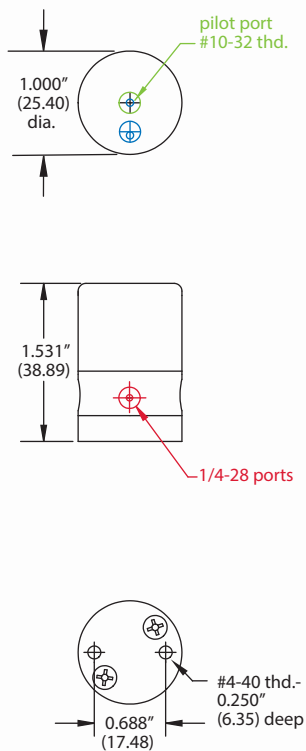
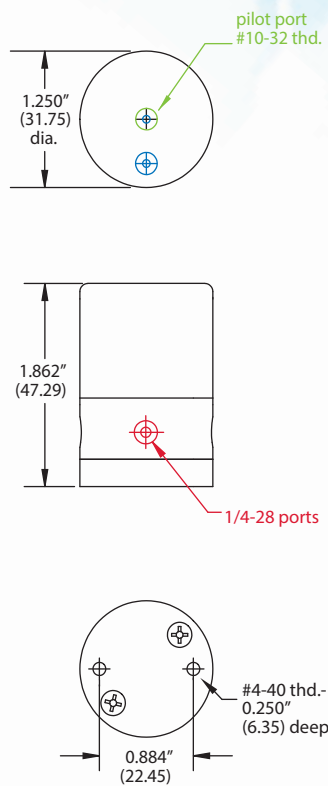
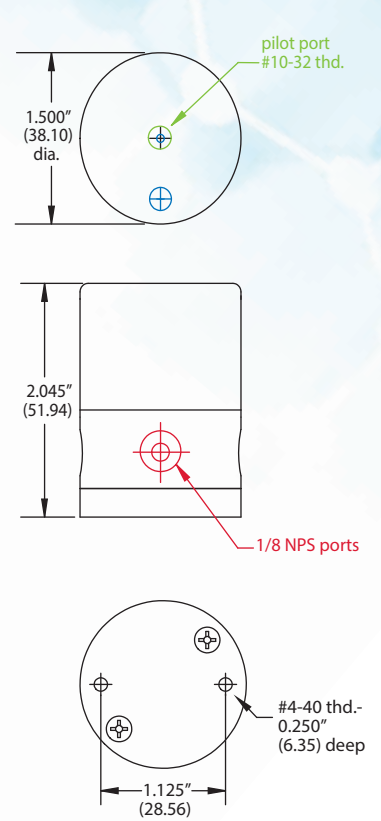
**COMING
JANUARY 1, 2024**

Like the NIV and PIV series, the AIV series features Clippard's unique multifunctional valve stem design for longer life and minimal dead volume. The difference with the AIV series is that it also provides the added benefit of air operation, which is—by definition—intrinsically-safe. No solenoid means absolutely no heat buildup from the coil, making the AIV series ideal for applications that utilize temperature-sensitive media. Like the PIV, all wetted areas of the AIV series are PTFE and PEEK, making it ideal for use with corrosive media.

- Zero power consumption (air-operated)
- Excellent intrinsically safe valve substitute
- No heat build-up
- Compact, lightweight design
- Bidirectional
- Minimal dead volume
- Fully flushable
- All wetted areas PTFE or PEEK
- High cycle life
- Fast response time
- Proudly made in the USA

Connection	#10-32 UNF (<i>pilot port</i>)
Documentation	CE, RoHS
Function	2-way normally-closed or normally-open or 3-way selector/diverter
Material, Wetted	PTFE, PEEK
Medium	Air, water, gas, or compatible fluids
Mount	#2-56 or #4-40
Operating Temp. Range	0 to 158°F (0 to 70°C)
Operating Pressure	Vac. to 100 psig (6.9 bar)
Pilot Pressure, Max.	72 psig (5.0 bar)
Pilot Pressure, Min.	29 psig (2.0 bar)
Ports	#10-32, 1/4-28 UNF, or 1/8 NPS
Response Time	50 ms typical



Model 1**Model 2****Model 3****Model 4**

- All versions
- 2-Way, Normally-Closed (-2)
- 2-Way, Normally-Open (O-2)
- 3-Way Selector/Diverter (-3)
- 2-Way, Normally-Open & 3-Way Selector/Diverter (O-2 and -3)

Dimensions shown are in inches (millimeters listed in parentheses).
Visit clippard.com for more detailed 2D and 3D drawings.

ORDERING INFORMATION

A I V

Orifice*

- 1 0.040" (1.0 mm) — #10-32 ports
- 2 0.062" (1.6 mm) — 1/4-28 UNF ports
- 3 0.095" (2.4 mm) — 1/4-28 UNF ports
- 4 0.156" (4.0 mm) — 1/8 NPS ports

Function

- 2 2-Way, Normally-Closed
- O-2 2-Way, Normally-Open
- 3 3-Way Selector/Diverter

Example Part Number:

AIV1-2